

ADJUST-A-LINK GRADE 100 CHAIN SLINGS

(Patent No. 4941698)



The most easily adjustable and versatile chain sling is now stronger, too!
Ideal for machine shop and maintenance departments varied requirements.

Features, Advantages and Benefits

Promotes Safety

- Chain cannot be removed from the master control plate, assuring the capacity rating will not be compromised
- Alloy steel master control link for strength and reliability
- Each assembly serialized for traceability
- Complies with OSHA - proof tested and certified

Saves Money

- Grade 100 chain provides approximately 25% higher capacities than our previous *Adjust-A-Links* - replaces larger, more expensive slings
- New angled plate design reduces bending torque on chain and plate - reduces wear and extends sling life
- Wider top bearing surface reduces wear to both plate and crane hook
- Versatile - one sling does many jobs
- Using two *Adjust-A-Links* on the same crane hook eliminates the need for expensive triples and quads
- Heat treated alloy steel construction for long sling life
- Yellow powder coating on master plate and hooks prevents rust - extends sling life

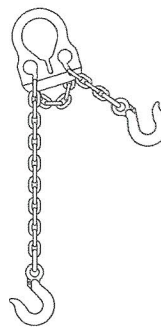
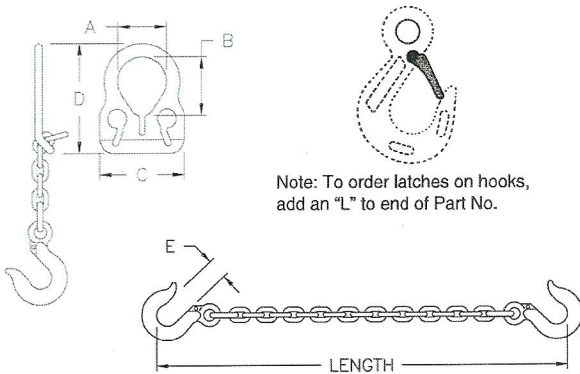
Saves Time

- More compact plate design fits larger hooks for easier rigging
- Less bulky than typical double adjustable chain slings
- High visibility yellow fittings make assembly easy to spot
- Easily adjustable to accommodate a wide range of applications
- No time wasted searching for just the right sling

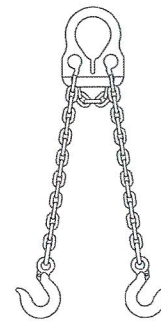
Get \$10 Spiff for each 7/32" or 9/32" AAL you sell.
Get \$20 Spiff for each 3/8" or 1/2" AAL you sell



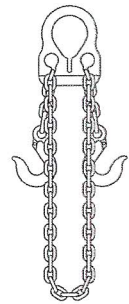
Never exceed rated capacities.
Chain must be seated at the base of adjusting slot of the Master Control Link.



Single



Double



Basket

* 1/2" size Master Link flame cut - not of new forged plate design - uses Grade 80 capacity ratings

Chain Size (in.)	'Rated Capacity * (lbs.)		Dimensions (in.)					6 ft. Length		10 ft. Length		14 ft. Length	
	Single @ 90°	Double @ 60°	Eye Width A	Eye Height B	Overall Width C	Overall Length D	Hook Opening E	Part No.	(lbs.)	Part No.	(lbs.)	Part No.	(lbs.)
7/32	2,700	4,700	2 3/16	2 11/16	3 15/16	5 1/8	15/16	30001G10	4.2	30002G10	6.2		
9/32	4,300	7,400	2 7/8	3 3/16	5 1/16	6 1/2	1 1/16	30003G10	7.5	30004G10	10.5		
3/8	8,800	15,200	3 3/4	4 1/8	6 3/4	8 11/16	1 9/16			30005G10	18.5	30006G10	24.5
1/2	12,000	20,800	4 3/8	4 3/8	9 3/4	12 3/4	2			30007	42	30008	52